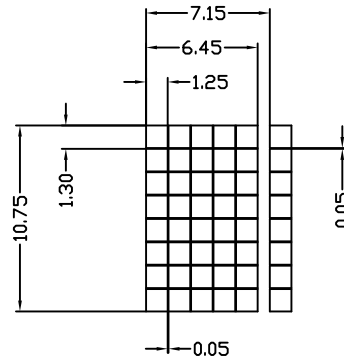
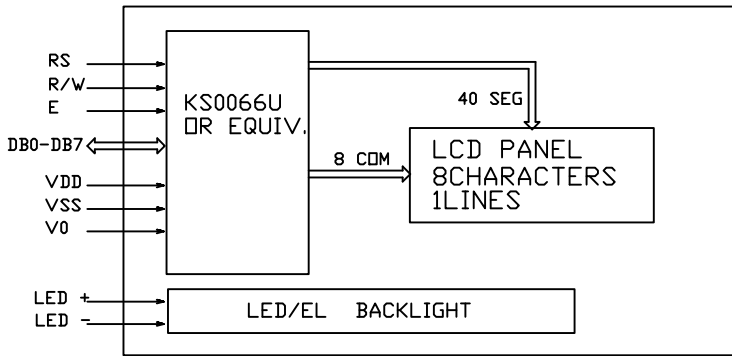
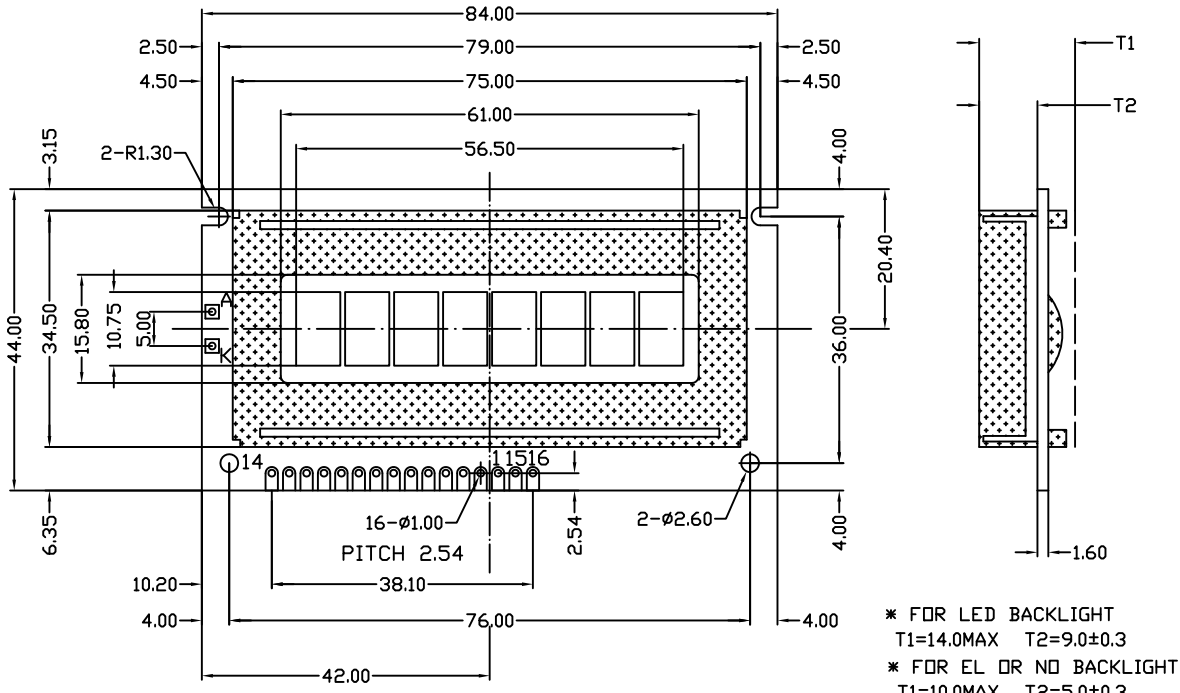


LINK-SUN (HONG KONG) ELECTRONICS LTD

Model No: LSM0801-1



PINS ASSIGNMENT		
NO.	SYMBOL	DESCRIPTION
1	VSS	POWER SUPPLY
2	VDD	POWER SUPPLY
3	V0	OPERATING VOLTAGE FOR LCD
4	RS	DATA/INSTRUCTION SELECT
5	R/W	READ/WRITE CONTROL
6	E	ENABLE SIGNAL
7--14	DB0--DB7	DATA BUS
15	A	POWER SUPPLY FOR LED BACKLIGHT (+)
16	K	POWER SUPPLY FOR LED BACKLIGHT (-)

ELECTRICAL CHARACTERISTICS (VDD=5.0±0.25V, 25°C)						
ITEM	SYMBOL	MIN	TYP	MAX	UNIT	
VOLTAGE FOR LOGIC	VDD-VSS	4.75	5.0	5.25	V	
SUPPLY CURRENT	IDD	-	1.0	1.3	mA	
VOLTAGE FOR LCD	VDD-V0	-	4.7	-	V	
INPUT VOLTAGE	H	V _{IH}	2.2	-	VDD	V
	L	V _{IL}	-0.3	-	0.6	V
OUTPUT VOLTAGE	H	V _{oH}	2.4	-	-	V
	L	V _{oL}	-	-	0.4	V

OPTIONS

- LCD TYPE: Y/G STN; GRAY STN; TN
- BACKLIGHT: WITHOUT BACKLIGHT; LED; EL
- COLOR OF BACKLIGHT: Y/G; BLUE; WHITE
- TEMPERATURE RANGE: NORMAL(0--50°C)
EXTENDED(-20--70°C)
- POWER SUPPLY: 5.0V; 3.0V
- VIEWING ANGLE: 6H; 12H
- CHARACTER TABLE: JAPANESE; EUROPEAN; CYRILLIC

MECHANICAL SPECIFICATIONS		
ITEM	SPECIFICATION	UNIT
OVERALL SIZE	84.0W × 44.0H × 14.0T(10.0T)	MM
VIEWING AREA	61.0W × 15.8H	MM
CHARACTERS	8 CHARACTERS × 1 LINES	
CHARACTER SIZE	6.45W × 10.75H	MM
CHARACTER PITCH	7.15W × 10.75H	MM

ABSOLUTE MAXIMUM RATING				
ITEM	SYMBOL	MIN	MAX	UNIT
POWER SUPPLY(LOGIC)	VDD-VSS	-0.3	7.0	V
POWER SUPPLY(LCD DRV.)	VDD-V0	-0.3	13.5	V
INPUT VOLTAGE	V _I	-0.3	VDD	V