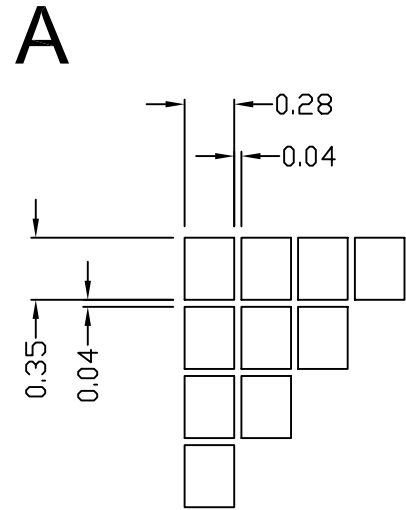
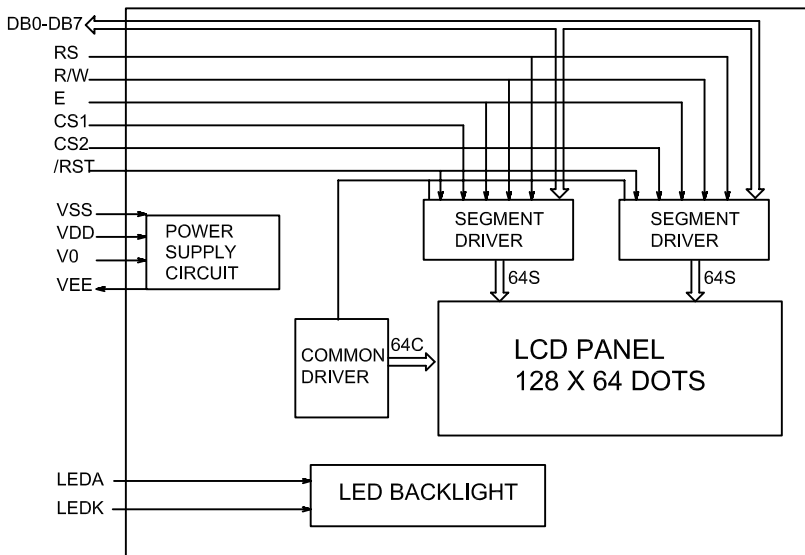
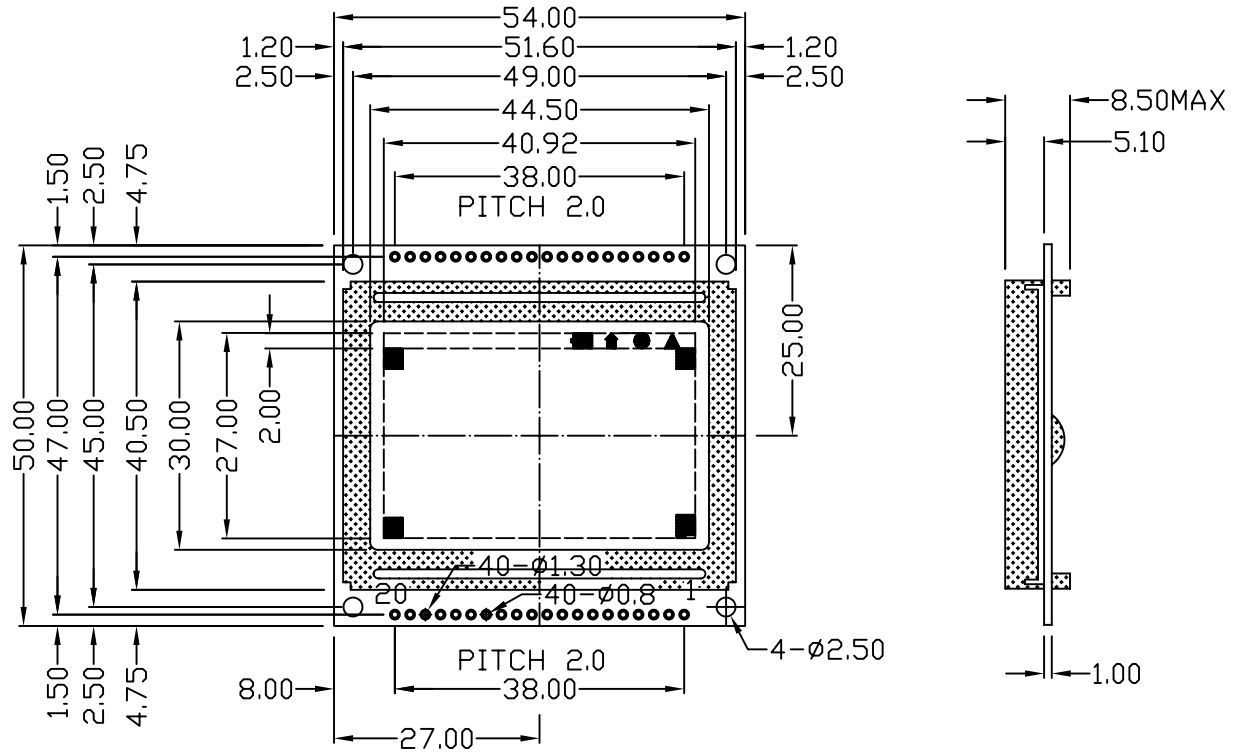


# LINK-SUN (HONG KONG) ELECTRONICS LTD

## Model No: LSM12864-4



| PINS ASSIGNMENT |         |                                    |
|-----------------|---------|------------------------------------|
| NO.             | SYMBOL  | DESCRIPTION                        |
| 1               | VSS     | GROUND                             |
| 2               | VDD     | POWER SUPPLY FOR LOGIC AND LCD     |
| 3               | V0      | OPERATING VOLTAGE FOR LCD          |
| 4               | RS      | DATA/INSTRUCTION SELECT            |
| 5               | R/W     | READ/WRITE SELECT                  |
| 6               | E       | ENABLE SIGNAL                      |
| 7-14            | DB0-DB7 | DATA BUS                           |
| 15              | /CS1    | CHIP SELECT OF IC1 (LOW EFFECTIVE) |
| 16              | /CS2    | CHIP SELECT OF IC2 (LOW EFFECTIVE) |
| 17              | /RST    | RESET SIGNAL(LOW EFFECTIVE)        |
| 18              | VEE     | NEGATIVE VOLTAGE OUTPUT/INPUT      |
| 19              | LEDA    | POWER SUPPLY FOR LED BACKLIGHT +   |
| 20              | LEDK    | POWER SUPPLY FOR LED BACKLIGHT -   |

- OPTIONS**
- LCD TYPE: Y/G STN;
  - BACKLIGHT: SIDE LED BACKLIGHT
  - COLOR OF BACKLIGHT: Y/G; BLUE; WHITE
  - TEMPERATURE RANGE: NORMAL(0-50C); EXTENDED(-20-70C)
  - POWER SUPPLY: ON BOARD DC/DC(SINGLE 5.0V/3.3V); DUAL POWER SUPPLY(5.0V/3.3V & -10.0V)
  - VIEWING ANGLE: 6H;

| ELECTRICAL CHARACTERISTICS |         |                 |        |     |        |   |
|----------------------------|---------|-----------------|--------|-----|--------|---|
| ITEM                       | SYMBOL  | MIN             | TYP    | MAX | UNIT   |   |
| VOLTAGE FOR LOGIC          | VDD-VSS | 2.8             | 3.3    | 3.5 | V      |   |
| SUPPLY CURRENT             | IDD     | -               | 5.1    | 9.8 | mA     |   |
| LCD OPERATING VOLTAGE      | VDD-V0  | 0C              | -      | 9.2 | -      | V |
|                            |         | 25C             | -      | 9.0 | -      | V |
|                            |         | 40C             | -      | 8.8 | -      | V |
| INPUT VOLTAGE              | H       | V <sub>IH</sub> | 0.7VDD | -   | VDD    | V |
|                            | L       | V <sub>IL</sub> | 0      | -   | 0.3VDD | V |

| MECHANICAL SPECIFICATIONS |                      |      |
|---------------------------|----------------------|------|
| ITEM                      | SPECIFICATION        | UNIT |
| OVERALL SIZE              | 54.0W x 50.0H x 8.5T | MM   |
| VIEWING AREA              | 44.5W x 30.0H        | MM   |
| DOT NUMBER                | 128 x 64             | DOTS |
| DOT SIZE                  | 0.28W x 0.35H        | MM   |
| DOT PITCH                 | 0.32W x 0.39H        | MM   |

| ABSOLUTE MAXIMUM RATING |                |                |      |      |
|-------------------------|----------------|----------------|------|------|
| ITEM                    | SYMBOL         | MIN            | MAX  | UNIT |
| POWER SUPPLY(LOGIC)     | VDD-VSS        | 0              | 6.5  | V    |
| POWER SUPPLY(LCD DRV.)  | VDD-V0         | 0              | 18.0 | V    |
| INPUT VOLTAGE           | V <sub>i</sub> | V <sub>i</sub> | VDD  | V    |