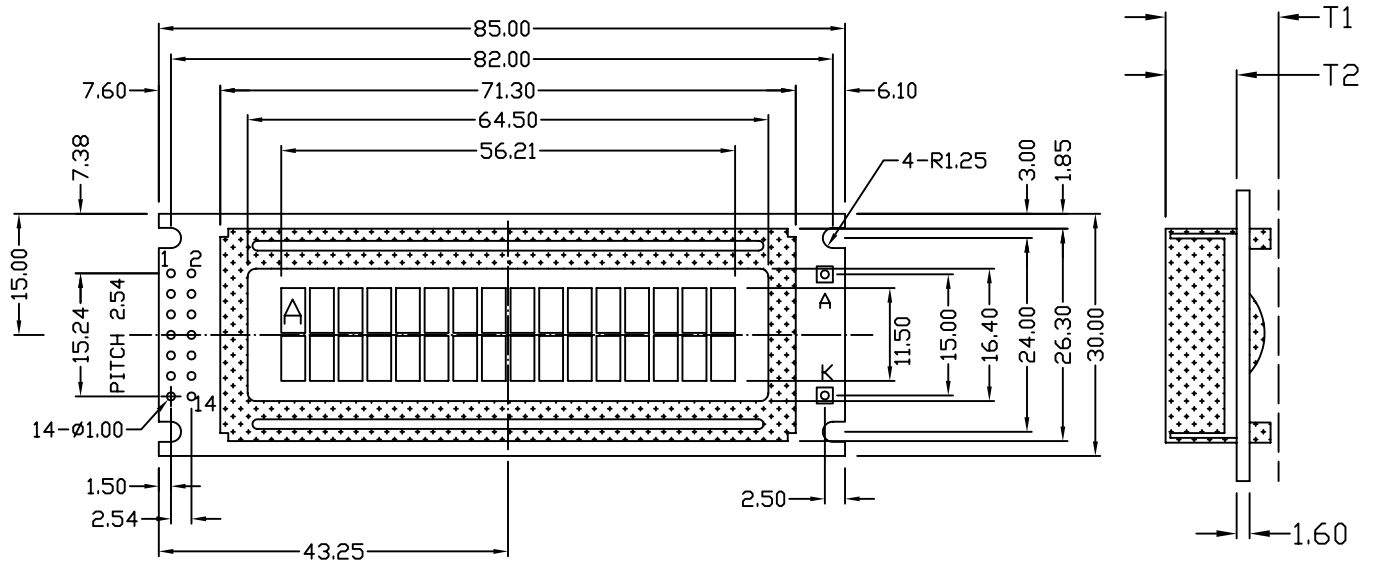
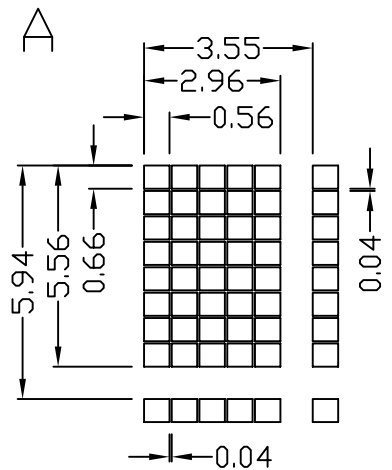
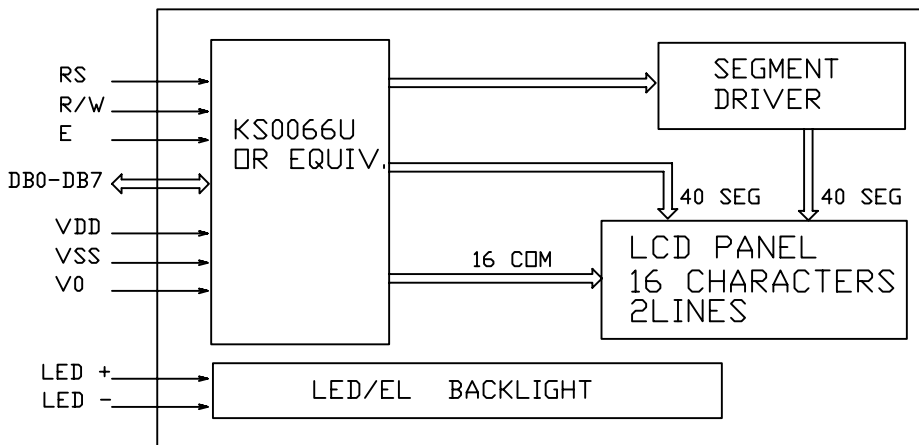


## Model No: LSM1602-6



\* FOR LED BACKLIGHT  
T1=14.0MAX T2=9.0±0.3  
\* FOR EL OR NO BACKLIGHT  
T1=10.0MAX T2=5.0±0.3



PINS ASSIGNMENT		
NO.	SYMBOL	DESCRIPTION
1--8	DB7--DB0	DATA BUS 1-DB7...8-DB0
9	E	ENABLE SIGNAL
10	R/W	READ/WRITE CONTROL
11	RS	DATA/INSTRUCTION SELECT
12	V0	OPERATING VOLTAGE FOR LCD
13	VSS	POWER SUPPLY
14	VDD	POWER SUPPLY
	A	POWER SUPPLY FOR LED BACKLIGHT (+)
	K	POWER SUPPLY FOR LED BACKLIGHT (-)

ELECTRICAL CHARACTERISTICS (VDD=5.0±0.25V, 25°C)					
ITEM	SYMBOL	MIN	TYP	MAX	UNIT
VOLTAGE FOR LOGIC	VDD-VSS	4.75	5.0	5.25	V
SUPPLY CURRENT	IDD	-	1.3	2.2	mA
VOLTAGE FOR LCD	VDD-V0	-	4.7	-	V
INPUT VOLTAGE	H VIH	2.2	-	VDD	V
	L VIL	-0.3	-	0.6	V
OUTPUT VOLTAGE	H VoH	2.4	-	-	V
	L VoL	-	-	0.4	V
BACKLIGHT VOLTAGE	VA-VK	-	4.1	4.3	V

ABSOLUTE MAXIMUM RATING				
ITEM	SYMBOL	MIN	MAX	UNIT
POWER SUPPLY (LOGIC)	VDD-VSS	-0.3	7.0	V
POWER SUPPLY (LCD DRV.)	VDD-V0	-0.3	13.5	V
INPUT VOLTAGE	VI	-0.3	VDD	V

MECHANICAL SPECIFICATIONS		
ITEM	SPECIFICATION	UNIT
OVERALL SIZE	85.0W x 30.0H x 14.0T(10.0T)	MM
VIEWING AREA	64.5W x 16.4H	MM
CHARACTERS	16 CHARACTERS x 2 LINES	
CHARACTER SIZE	2.96W x 5.56H	MM
CHARACTER PITCH	3.55W x 5.94H	MM