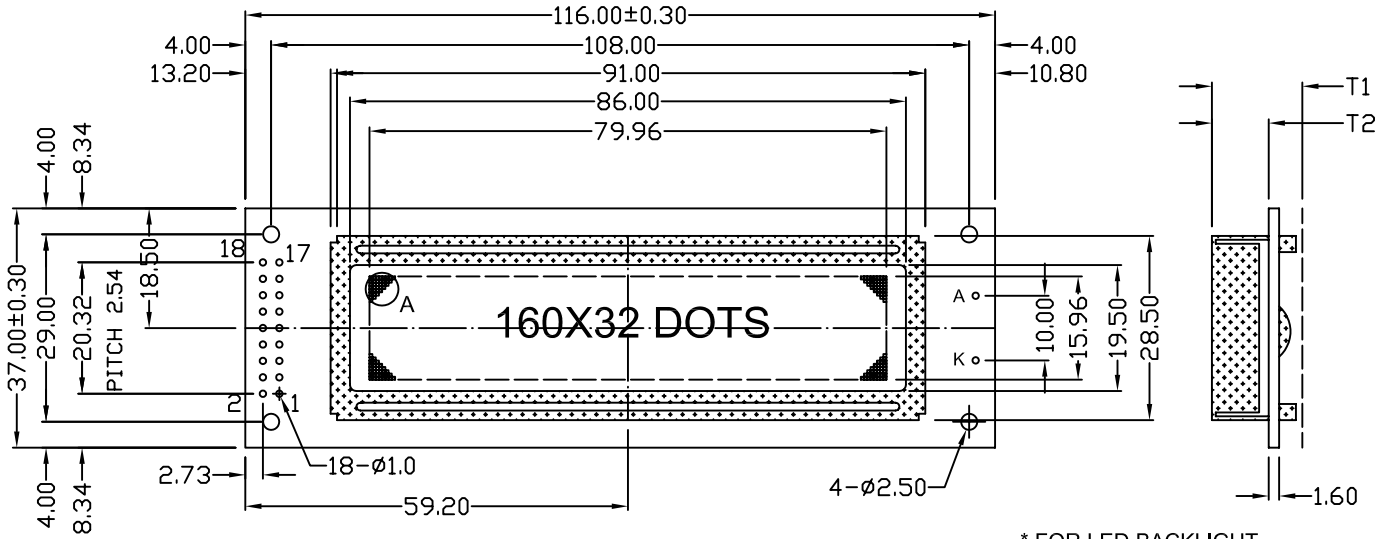
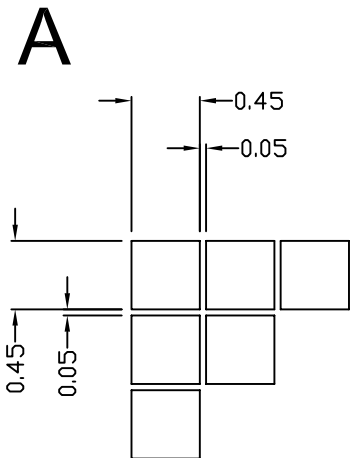
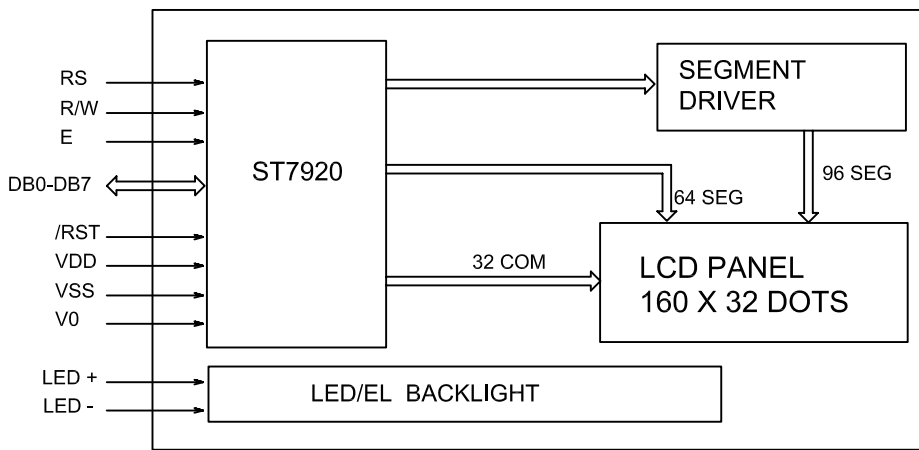


LINK-SUN (HONG KONG) ELECTRONICS LTD

Model No: LSM16032-1



* FOR LED BACKLIGHT
T1=14.0MAX T2=9.0±0.3
* FOR EL OR NO BACKLIGHT
T1=10.0MAX T2=5.0±0.3



PINS ASSIGNMENT		
NO.	SYMBOL	DESCRIPTION
1	VSS	POWER SUPPLY
2	VDD	POWER SUPPLY
3	V0	OPERATING VOLTAGE FOR LCD
4	RS	DATA/INSTRUCTION SELECT
5	R/W	READ/WRITE CONTROL
6	E	ENABLE SIGNAL
7-14	DB0-DB7	DATA BUS
15	/RST	RESET SIGNAL
16	NC	NO CONNECT
17	LED +	POWER SUPPLY FOR LED BACKLIGHT (+)
18	LED -	POWER SUPPLY FOR LED BACKLIGHT (-)

ELECTRICAL CHARACTERISTICS (VDD=5.0±0.25V, 25C)						
ITEM	SYMBOL	MIN	TYP	MAX	UNIT	
VOLTAGE FOR LOGIC	VDD-VSS	4.75	5.0	5.25	V	
SUPPLY CURRENT	IDD	-	0.6	0.8	mA	
VOLTAGE FOR LCD	V0-VSS	2.8	3.0	3.2	V	
INPUT VOLTAGE	H	V _{IH}	2.2	-	VDD	V
	L	V _{IL}	-0.3	-	0.6	V
OUTPUT VOLTAGE	H	V _{oH}	2.4	-	-	V
	L	V _{oL}	-	-	0.4	V

MECHANICAL SPECIFICATIONS		
ITEM	SPECIFICATION	UNIT
OVERALL SIZE	116.0W x 37.0H x 14.0T(10.0T)	MM
VIEWING AREA	86.0W x 19.5H	MM
DOTS	160 X 32	
DOT SIZE	0.45W x 0.45H	MM
DOT PITCH	0.50W x 0.50H	MM

OPTIONS	
1.	LCD TYPE: Y/G STN; GRAY STN;
2.	BACKLIGHT: WITHOUT BACKLIGHT; LED; EL
3.	COLOR OF BACKLIGHT: Y/G; BLUE; WHITE
4.	TEMPERATURE RANGE: NORMAL(0-50C) EXTENDED(-20-70C)
5.	POWER SUPPLY: 5.0V; 3.0V
6.	VIEWING ANGLE: 6H; 12H
7.	CHARACTER TABLE: CHINESE FONTS(GB2312)

ABSOLUTE MAXIMUM RATING				
ITEM	SYMBOL	MIN	MAX	UNIT
POWER SUPPLY(LOGIC)	VDD-VSS	-0.3	5.5	V
POWER SUPPLY(LCD DRV.)	VLCD	-0.3	7.0	V
INPUT VOLTAGE	V _i	-0.3	VDD	V